



SP1, KS4, AT1, NT50, KU50



Before



After On-tip extraction



After Arm extraction

On Tip Cleaners

Models SP1, ST1, ST2

Solder fume is universally recognised as being both hazardous to workers' health and potentially damaging to sensitive products and equipment. Most fluxes are based on colophony, a mixture of various dangerous chemicals including hydrochloric acid, formaldehyde and hydrocarbons. Soldering fume is one of the most common causes of occupational or workplace asthma. Controlling solder fume at its source, before it enters the worker's breathing zone, is the most practical solution. Ozone offers a range of technologically advanced products dedicated to this purpose.

Model ST1 is electric, whilst model SP1 operates with compressed air. These compact Cleaners are ideal for placing on the bench top or for portable use in the field. A three-stage filter process includes HEPA and gas filtration. They can be used with integrated fume extraction soldering irons or with the Ozone On-Tip Soldering Kit which includes a clip-on nozzle and 2 metres of low static hose.

ST1, 2 x KS4



SP1, KS4

Coupled with the anti-static design of each Ozone Cleaner, a conductive extraction system can be achieved, if required.

The compact, top of the range ST2 incorporates a continuous duty electric motor which is whisper quiet. Four individual solder irons can be directly connected. Alternatively, the ST2 will drive up to 10 irons through a KD38 connecting Duct Kit. The Cleaner has a gas filter and a High Efficiency Particulate filter - which is *cleanable* - a unique feature which is vital to ensure long life.



ST2, 4 x KS6

Arm Cleaners

Models SI2, SR2

The high flow Cleaner model SI2 is typically used with self-supporting Arms or bench top inlets to capture fume over a large distance. It has a continuous duty motor. It includes an activated carbon gas filter and High Efficiency Particulate filter, which is *cleanable* for low running costs. Suitable for one to four inlets. Cleaner model SR2 has the same filter system but is sized to suit one to two inlets. It has a variable speed motor.

The Universal Arm Kit, model KU50, includes the advanced Ozone Telescopic Arm, connecting hose, couplings and the Universal Nozzle. With its adjustable sides and top, this versatile nozzle can be set up in three different configurations.



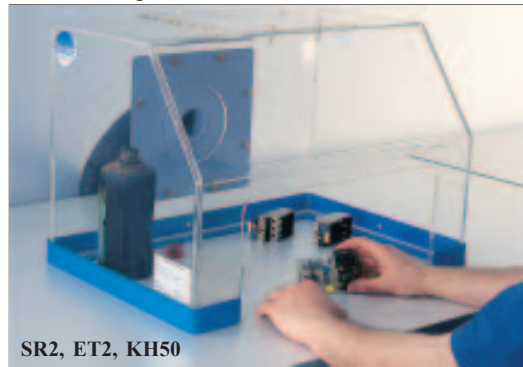
SI2, KU50



SI2, AT1

The Telescopic Arm can also be mounted directly onto the Cleaner. Perfect for portable use such as site maintenance work or brazing plumbing pipes in the field.

Ozone transparent enclosures have excellent optical and strength characteristics. Two sizes are available, the smaller one shown below. Ideal for capturing fume over a large area, containing fume from stationary sources or for micro abrasive blasting. A low static polish is available which prevents dust build up on the inside surface.



SR2, ET2, KH50

Duplex Cleaner

Model SL2

The remarkable SL2 Duplex Cleaner can be used for either form of extraction - on-tip or stand alone.

On tip extraction is typically achieved through the Solder Kit, model KS6. Stand alone extraction is achieved through the Ozone Tubular Arm, model AMO. Alternatively, a Hose Kit can be used with the flexible hose inlet simply resting on the bench. The SL2 includes a gas filter and a High Efficiency Particulate filter, which is *cleanable*.



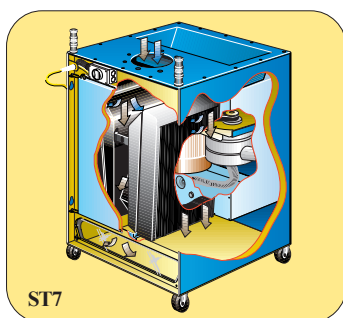
SL2, KS6, AMO, KH38

The Duplex Cleaner solves the dilemma of choosing an extraction method. It also has a continuous duty motor, rated for 100,000 hours of maintenance free operation.

Central Cleaners

Models ST7, SS7, SS8

A range of larger Cleaners is available for multi-inlet systems and for fume extraction from larger machinery. Model ST7 is a high pressure Cleaner suitable for up to 100 on-tip workstations. Model SS7 is a high flow Cleaner, for up to 16 Arm inlets.



ST7

At the heart of each Cleaner is the unique Ozone Channel Cartridge with pleated, cleanable filter media. An impressive 3-stage process provides long filter life and efficiencies generally greater than 99.9%. Secondary gas and HEPA filters are also available.



SS7-F

Models SS7 and SS8 are also designed for high fume levels generated from Wave Soldering machines, Infrared Ovens or Reflow machines.



SS7, AF2

Alternatively, they can remain mobile with an Ozone self-supporting Flexi Arm. The Arm's rotating inlet hood is simply positioned near the Reflow or Infrared air outlet. Also ideal for maintenance of soldering machinery.

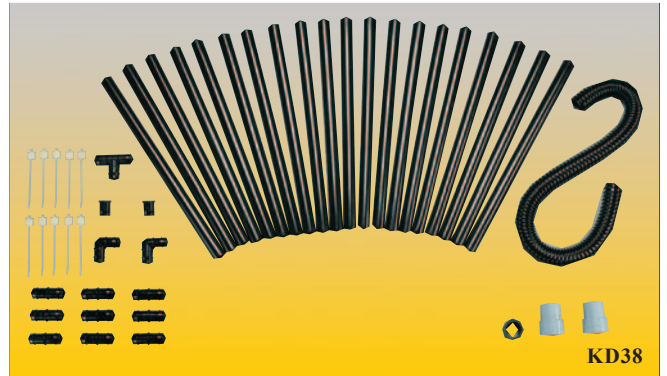
Arms and Kits

KS4, KS6, KD38, AT1, AM0

The On-Tip Soldering Kits KS4 and KS6 suit Weller, Hakko, Metcal, Erska and many other brands. They simply clip on to your solder iron and include 2m of conductive tube. The Duct Kit KD38 includes a pack of 58 parts and suits up to 10 On-Tip Soldering Kits. Arm model AT1 is Telescopic with 5 nozzle choices. Arm AM0 is Tubular stainless steel with 3 nozzle choices.



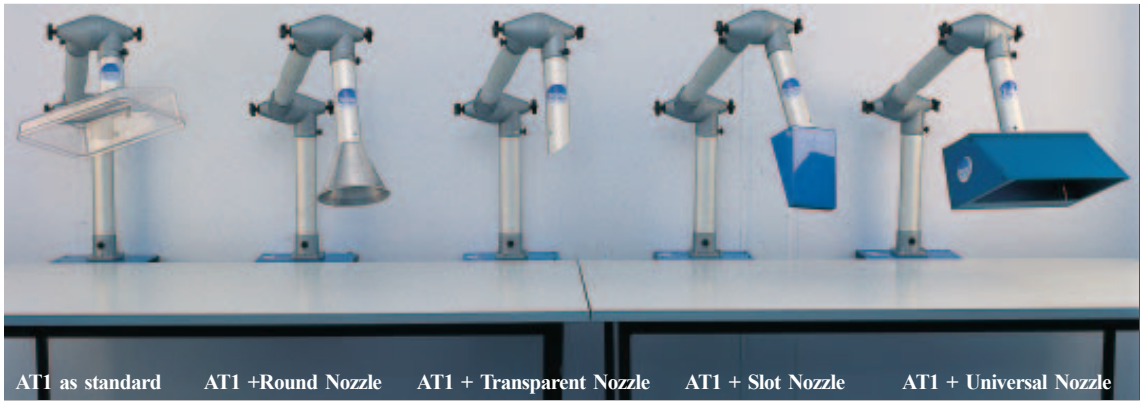
KS4



KD38



AM0



AT1 as standard

AT1 + Round Nozzle

AT1 + Transparent Nozzle

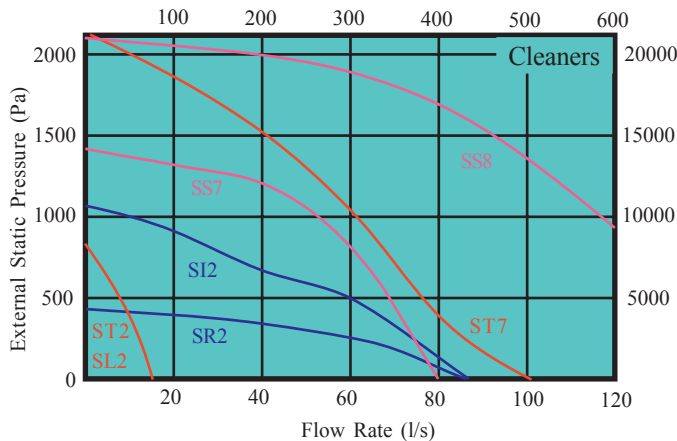
AT1 + Slot Nozzle

AT1 + Universal Nozzle

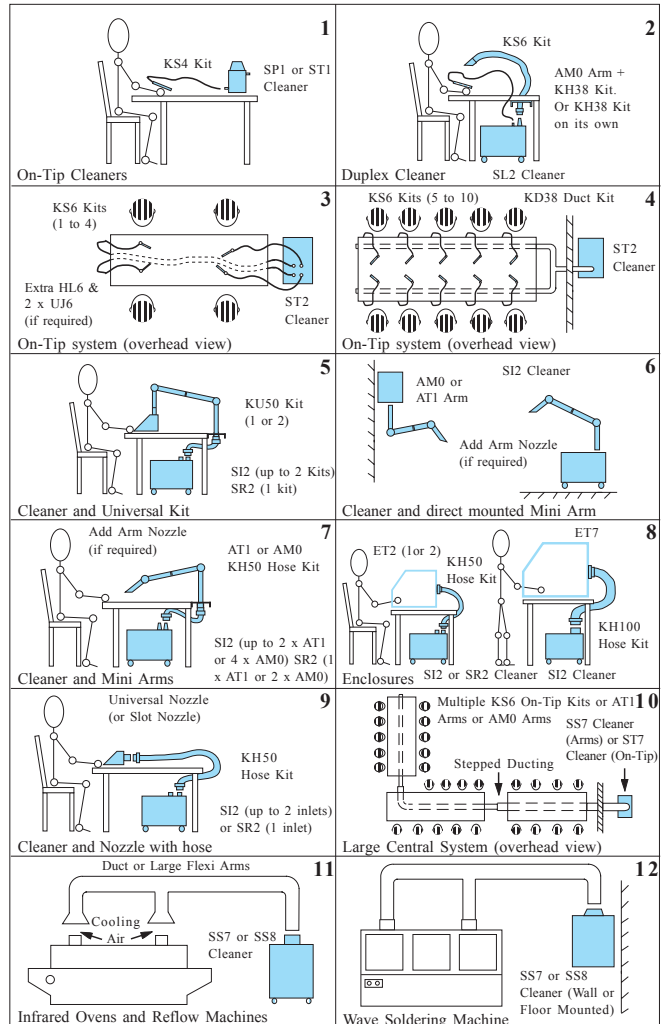
Applications

Choose inlet Kits from the table below (which shows typical number of Kits connected per Cleaner).

| Kit Name → | On-Tip | | Arms | | Arm Kit | Enclosures | | Large Arm | Solid Duct |
|----------------|--------|------|------|----------|---------|------------|--------|------------|------------|
| Kit Code → | KS4 | KS6 | AT1 | AM0 | KU50 | ET2 | ET7 | AF2 AF3 | — |
| Hose Dia (mm) | 4.5 | 6.0 | 50 | 38 or 50 | 50 | 50 | 100 | — | 200 |
| Min Flow (l/s) | 0.25 | 0.25 | 20 | 12 | 20 | 25 | 50 | 200 | 200 |
| Cleaners | SP1 | 1 | | | | | | | |
| | ST1 | 2 | | | | | | | |
| | ST2 | | 10 | | | | | | |
| | SI2 | | | 2 | 4 (38) | 2 | 2 | 1 | |
| | SR2 | | | 1 | 2 (50) | 1 | 1 | | |
| | SL2 | | 1 | | 1 (38) | | | | |
| | ST7 | | 100 | | | | | | |
| | SS7 | | | 6 to 10 | 16 | 6 to 10 | 5 to 8 | 3 to 4 | 1 |
| SS8 | | | | | | | | 2 | 2 |




Use left hand/bottom axes for SI2, SR2. Use right hand/bottom axes for ST2, SL2, ST7. Use left hand/top axes for SS7, SS8. Curves show static pressure at Cleaner inlet. Set equal to static pressure of upstream system (system losses + velocity pressure at inlet). Tested with clean filters, ducted inlet (SI2, SR2 ST7 100mm diam, SS7, SS8 200mm, SL2, ST2 50mm), diffuse outlet, standard Cleaner at end of system (AMCA or BS type C).



| Data Table | Cleaner Code → Type | On-Tip Cleaners | | | Arm Cleaners | | Duplex Cleaner | Central Cleaners | | |
|--|------------------------|-----------------|----------|--------------|--------------|-------------|----------------|------------------|-------------|-------------|
| | | SP1 | ST1 | ST2 | SI2 | SR2 | SL2 | ST7 | SS7 | SS8 |
| Energy input | | Pneumatic | Electric | Electric | Electric | Electric | Electric | Electric | Electric | Electric |
| Extractor type | | Eductor | Turbine | Turbine | Cent. Rotor | Cent. Rotor | Turbine | Turbine | Cent. Rotor | Cent. Rotor |
| Fume Filter media area, main filter only (m ²) | | 0.3 | 0.5 | 2.5 | 2.5 | 2.5 | 2.5 | 10 | 10 | 20 |
| Includes Gas Filter as standard | | Yes | Yes | Yes | Yes | Yes | Yes | Accessory | Accessory | Accessory |
| Dimensions as standard | | | | | | | | | | |
| – Width W (mm) | | 110 | 160 | 320 | 320 | 320 | 320 | 740 | 740 | 740 |
| – Length L (mm) | | 110 | 160 | 585 | 570 | 570 | 585 | 700 | 700 | 980 |
| – Height H (mm) | | 180 | 350 | 450 | 450 | 450 | 450 | 1030 | 1030 | 1030 |
| Weight as standard (kg) | | 1 | 6 | 21 | 24 | 14 | 21 | 140 | 130 | 155 |
| Sound Pressure Level, semi-reverberant, 1m front, ducted inlet (dBA) | | 39 | 45 | 48 | 65 | 58 | 48 | 72 | 68 | 75 |
| Spigots as standard, number x diameter (mm) | | 1 x 4 | 2 x 4 | 4x 6, 1 x 38 | 2 x 50/38 | 2 x 50 | 1 x 6, 1 x 38 | 1 x 50 | 1 x 200 | 1 x 200 |
| Maximum flow, filtered cleaner (l/s) | | 0.5 | 0.75 | 15 | 85 | 85 | 15 | 100 | 400 | 720 |
| Typical flow (l/s) | | 0.25 | 0.5 | 4 | 50 | 25 | 12 | 40 | 200 | 400 |
| Maximum Pressure, vacuum (Pa) | | 55,000 | 55,000 | 8,000 | 1080 | 450 | 8,000 | 21,000 | 1400 | 2100 |
| Power (watts) x phase. (Inc switch, flex, AC plug) | | – | 60 x 1 | 180 x 1 | 550 x 1 | 100 x 1 | 200 x 1 | 2200 x 1 | 1100 x 1 | 3000 x 1 |
| Compressed air required: l/s flow x kPa pressure | | 0.2 x 550 | – | – | – | – | – | – | – | – |
| Mounting method as standard | | Portable | Portable | Portable | Portable | Portable | Portable | Mobile | Mobile | Mobile |

How To Order Soldering Fume Cleaners

Choose Cleaner Code from above table 

Then choose Accessories from the diagrams opposite

Popular examples from Applications section on previous page:

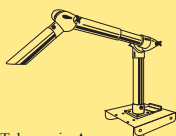
Example 1 : Application 1 on previous page, On-Tip extraction for one operator. Order: SP1, KS4.

Example 2 : Application 5 on previous page, Arm extraction for two operators. Order: SI2, 2 x KU50.

Example 3 : Application 4 on previous page, On-Tip extraction for ten operators. Order: ST2, KD38, 10 x KS6.

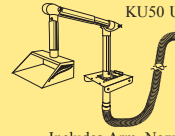
Note: if ordering for overseas, also specify phase, voltage and frequency.

How to Order Accessories



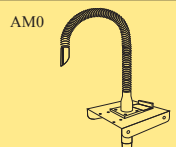
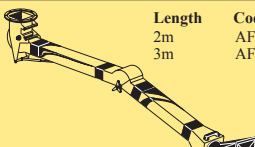
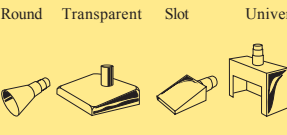
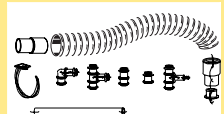
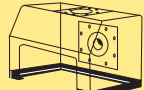


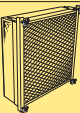
AT1 (use with KH50 Kit)

Telescopic Arms (includes bracket & damper)



KU50 Universal Kit

Includes Arm, Nozzle, 2 Couplings, 2.5m x 50mm Regular Hose

|  <p>AM0</p> <p>Tubular Arms (includes bracket & damper)</p> | <p>Use with KH50 Kit (if SR2 Cleaner). Use with KH38 (if SL2, or SI2 Cleaner)</p> |  <p>Large Flexi Arm</p> <table border="1" style="font-size: small;"> <thead> <tr> <th>Length</th> <th>Code</th> </tr> </thead> <tbody> <tr> <td>2m</td> <td>AF2</td> </tr> <tr> <td>3m</td> <td>AF3</td> </tr> </tbody> </table> | Length | Code | 2m | AF2 | 3m | AF3 | | | | | | | | | | | | | | | | | | | | | | | | | | | | | | |
|--|---|--|-------------|----------------|-------------|-------|------|------|--------|------|------|------|------|------|----------------|------|------|------|------|------|-------|-------|-------|-------|--|--|------|------|---|------|------|---|------|------|---|-------|-------|---|
| Length | Code | | | | | | | | | | | | | | | | | | | | | | | | | | | | | | | | | | | | | |
| 2m | AF2 | | | | | | | | | | | | | | | | | | | | | | | | | | | | | | | | | | | | | |
| 3m | AF3 | | | | | | | | | | | | | | | | | | | | | | | | | | | | | | | | | | | | | |
|  <p>Round Transparent Slot Universal</p> <p>Arm Nozzles</p> | | <table border="1"> <thead> <tr> <th>Nozzle Type</th> <th>Telescopic Arm</th> <th>Tubular Arm</th> </tr> </thead> <tbody> <tr> <td>Round</td> <td>NN50</td> <td>NN38</td> </tr> <tr> <td>Transp</td> <td>NT50</td> <td>NT38</td> </tr> <tr> <td>Slot</td> <td>NO50</td> <td>–</td> </tr> <tr> <td>Universal NU50</td> <td>–</td> <td>–</td> </tr> </tbody> </table> | Nozzle Type | Telescopic Arm | Tubular Arm | Round | NN50 | NN38 | Transp | NT50 | NT38 | Slot | NO50 | – | Universal NU50 | – | – | | | | | | | | | | | | | | | | | | | | | |
| Nozzle Type | Telescopic Arm | Tubular Arm | | | | | | | | | | | | | | | | | | | | | | | | | | | | | | | | | | | | |
| Round | NN50 | NN38 | | | | | | | | | | | | | | | | | | | | | | | | | | | | | | | | | | | | |
| Transp | NT50 | NT38 | | | | | | | | | | | | | | | | | | | | | | | | | | | | | | | | | | | | |
| Slot | NO50 | – | | | | | | | | | | | | | | | | | | | | | | | | | | | | | | | | | | | | |
| Universal NU50 | – | – | | | | | | | | | | | | | | | | | | | | | | | | | | | | | | | | | | | | |
| <p>Suits: Weller, Hakko, Metcal, Ersa, & many more</p> <p>Includes metal tube, mount, 5 E-clips, 4 lugs, 2m x low static hose</p> <p>Diameter 4mm, 6mm</p> <p>Code KS4, KS6</p> |  <p>Duct Kit KD38 (58 parts included)</p> | | | | | | | | | | | | | | | | | | | | | | | | | | | | | | | | | | | | | |
| <p>Code ET2, ET7</p> <p>W x L x H 580 x 400 x 400, 690 x 690 x 600</p> |  <p>Enclosures</p> | <p>Cleaner Type SI2, SR2, ST7, SS7&, SS8</p> <p>Code Q12, Q17</p> | | | | | | | | | | | | | | | | | | | | | | | | | | | | | | | | | | | | |
| <table border="1"> <thead> <tr> <th>Diameter</th> <th>Hose (5m)</th> <th>Joiners</th> <th>Plugs</th> </tr> </thead> <tbody> <tr> <td>4mm</td> <td>HL4</td> <td>–</td> <td>–</td> </tr> <tr> <td>6mm</td> <td>HL6</td> <td>UJ6</td> <td>UP6</td> </tr> <tr> <td>38mm</td> <td>HR38</td> <td>UJ38</td> <td>UP38</td> </tr> <tr> <td>50mm</td> <td>HR50</td> <td>UJ50</td> <td>UP50</td> </tr> <tr> <td>100mm</td> <td>HR100</td> <td>UJ100</td> <td>UP100</td> </tr> </tbody> </table> | Diameter | Hose (5m) | Joiners | Plugs | 4mm | HL4 | – | – | 6mm | HL6 | UJ6 | UP6 | 38mm | HR38 | UJ38 | UP38 | 50mm | HR50 | UJ50 | UP50 | 100mm | HR100 | UJ100 | UP100 |  <p>Low Static Polish RL6</p> | <p>Silencers</p> <table border="1"> <thead> <tr> <th>Diam</th> <th>Code</th> <th>Includes 2.5m Regular Duty Hose & 2 Couplings</th> </tr> </thead> <tbody> <tr> <td>38mm</td> <td>KH38</td> <td>–</td> </tr> <tr> <td>50mm</td> <td>KH50</td> <td>–</td> </tr> <tr> <td>100mm</td> <td>KH100</td> <td>–</td> </tr> </tbody> </table> | Diam | Code | Includes 2.5m Regular Duty Hose & 2 Couplings | 38mm | KH38 | – | 50mm | KH50 | – | 100mm | KH100 | – |
| Diameter | Hose (5m) | Joiners | Plugs | | | | | | | | | | | | | | | | | | | | | | | | | | | | | | | | | | | |
| 4mm | HL4 | – | – | | | | | | | | | | | | | | | | | | | | | | | | | | | | | | | | | | | |
| 6mm | HL6 | UJ6 | UP6 | | | | | | | | | | | | | | | | | | | | | | | | | | | | | | | | | | | |
| 38mm | HR38 | UJ38 | UP38 | | | | | | | | | | | | | | | | | | | | | | | | | | | | | | | | | | | |
| 50mm | HR50 | UJ50 | UP50 | | | | | | | | | | | | | | | | | | | | | | | | | | | | | | | | | | | |
| 100mm | HR100 | UJ100 | UP100 | | | | | | | | | | | | | | | | | | | | | | | | | | | | | | | | | | | |
| Diam | Code | Includes 2.5m Regular Duty Hose & 2 Couplings | | | | | | | | | | | | | | | | | | | | | | | | | | | | | | | | | | | | |
| 38mm | KH38 | – | | | | | | | | | | | | | | | | | | | | | | | | | | | | | | | | | | | | |
| 50mm | KH50 | – | | | | | | | | | | | | | | | | | | | | | | | | | | | | | | | | | | | | |
| 100mm | KH100 | – | | | | | | | | | | | | | | | | | | | | | | | | | | | | | | | | | | | | |
| <p>Cartridge Prefilter Main Gas Foam Combo (Main + Gas)</p> <p>SP1 2477AM 2475AC 2476AC –</p> <p>ST1 3016AM 3017AC –</p> <p>Size2 –</p> <p>Size7 –</p> <p>CP7 –</p> <p>CC21 –</p> |  <p>Hose, Joiners, Plugs, Hose Kits</p> | <p>Type Bracketry Max Flow (Required) Code</p> <p>HEPA 200L/s PH607</p> <p>HEPA 550L/s PH615</p> <p>Gas 200L/s PG605</p> <p>Gas 400L/s 2PG605</p> | | | | | | | | | | | | | | | | | | | | | | | | | | | | | | | | | | | | |
| <p>Spare Cartridge Filters</p> <p>Last digit in Cleaner code is "size"</p> |  <p>After Filters (for Central Cleaners)</p> | | | | | | | | | | | | | | | | | | | | | | | | | | | | | | | | | | | | | |

Useful Conversions
 1m = 1000mm = 3.38 feet
 1kg = 1000g = 2.20 pounds
 1Pa = 0.102mm water = 0.004 inches water
 1L/s = 3.60m³/hr = 2.12cfm
 1kW = 1000W = 1.34hp

Ozone Pollution Technology,
 Sydney Head Office, 212 Silverwater Road,
 Silverwater NSW 2128, Australia.
 Phone 02-9748 7748
 Fax 02-9748 7749
 Email sales@ozonetec.com
 Website http://www.ozonetec.com